



Forklift 10 ton

FLT10

Technical information

INDITAL

FORKLIFT 10 ton **FLT10**

Technical details

General

Manufacturer				Cargotec India Pvt. Ltd.
Model				FLT10
Capacity	Lifting load	Q	kg	10000
Load Centre	Distance	L4	mm	600
Power Unit				Diesel
Diesel Tank	Capacity	l	ltr	180
Hydraulic Tank	Capacity	l	ltr	180
Tyres				Pneumatic

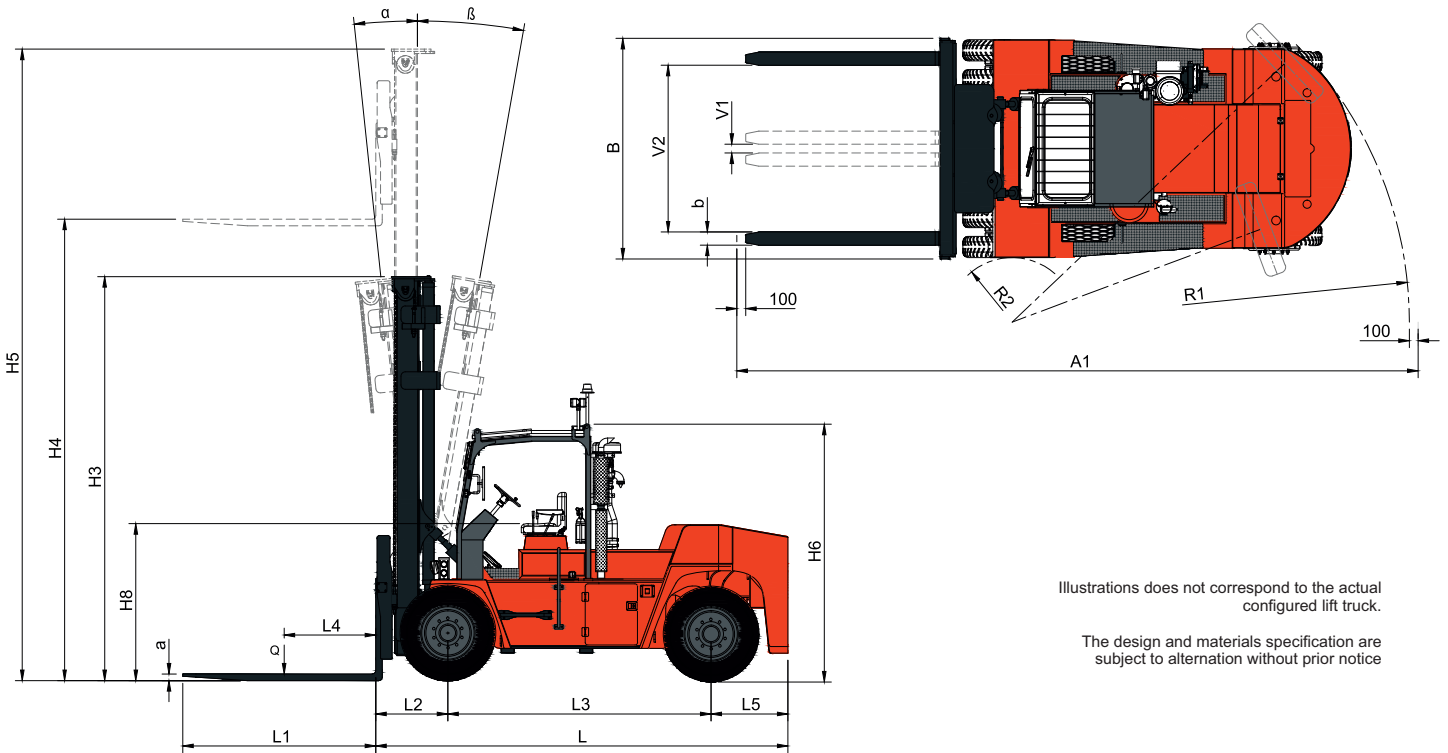
Dimension

Lift Height	Maximum fork height	H4	mm	6100
Fork	Length	L1	mm	2200
	Width	b	mm	150
	Thickness	a	mm	75
Fork Spread	Minimum/Maximum Standard	V1/V2	mm	105/2296
Tilt Angle	Forward	α	degree	5
	Backward	β	degree	10
Over all Dimensions with Standard Mast	Truck Length to face of forks	L	mm	4695
	Truck Width	B	mm	2515
	Height with collapsed Mast	H3	mm	4608
	Height with fully extended Mast	H5	mm	7655
	Overall Height	H6	mm	2875
	Seat Height	H8	mm	1785
Turning Radius	Outer	R1	mm	4440
	Inner	R2	mm	735
Overhang	Front	L2	mm	815
	Rear	L5	mm	880
Aisle width	Min. aisle width for 90° stacking with forks	A1	mm	7770

Performance

Speed with Standard Mast	Travel-Laden		Km/hr	20
	Lifting-Laden		m/s	0.27
	Lowering-Laden		m/s	0.35
Gradability	Laden		%	19.6
Stability	Laden/Unladen		%	As per IS 4357-2004
Steering Type				Hydrostatic

FORKLIFT 10 ton **FLT10**



Illustrations does not correspond to the actual configured lift truck.

The design and materials specification are subject to alternation without prior notice

Frame and Tyres

Gross Vehicle Weight (with Standard Mast)	Laden/Unladen		Kg	25400/15400
Axle Load with Standard Mast	Front Axle–Laden/Unladen		Kg	22880/7880
	Rear Axle–Laden/Unladen		Kg	2520/7520
Tyres	Numbers–Front/Rear			4/2
	Size-Front			10.00X20, 16PR
	Size-Rear			10.00X20, 16PR
Wheelbase		L3	mm	3000
Track	Front/Rear		mm	1825/1970
Ground clearance	Under Mast		mm	260
	Under Frame		mm	330
Brake	Service Brake			Pneumatic
	Parking Brake			Mechanical Air Released

Drive

Engine	Manufacturer/ Model			Ashok Leyland/ALHT4CTIC3
	Rated Power		HP/KW	101/75.3
	Rated Speed		rpm	2200
	Max.Torque		Nm	395@1600 rpm
Transmission	Manufacturer/ Model			AVTEC/CT100/TRT2221-3
	Gear–Forward/Reverse	F/R		2/2
	Gear Shift			Hydraulic
	Type			Power shift with Torque Converter
Drive axle	Manufacturer/Model			Meritor/R-1495 heavy duty
	Type			Single Reduction Axle
	Brakes			Pneumatic Drum Brakes

INDITAL



20160718_02

Enquires

Tel +91-22-67736666
Fax +91-22-67736600
www.indital.in

Offices

Delhi – +91 9718472220
Mumbai – +91 9867529012
Chennai – +91 9840721119
Kolkata – +91 8584974633

Cargotec India Pvt. Ltd.

Kesar Solitaire, 3rd Floor
Office No. 303 - 306
Plot No. 5, Sector - 19
Sanpada , Navi Mumbai
400705, India

INDITAL