



Forklift 10 ton

FLT10

* TRT Transmission
& Electric Shift

Technical information

INCITAL

FORKLIFT 10 ton **FLT10**

Technical details

General

Manufacturer				Cargotec India Pvt. Ltd.
Model				FLT10
Capacity	Lifting load	Q	kg	10000
Load Centre	Distance	L4	mm	600
Wheelbase		L3	mm	3000
Power Source				Diesel
Diesel Tank	Capacity		l	180
Hydraulic Tank	Capacity		l	180

Dimensions

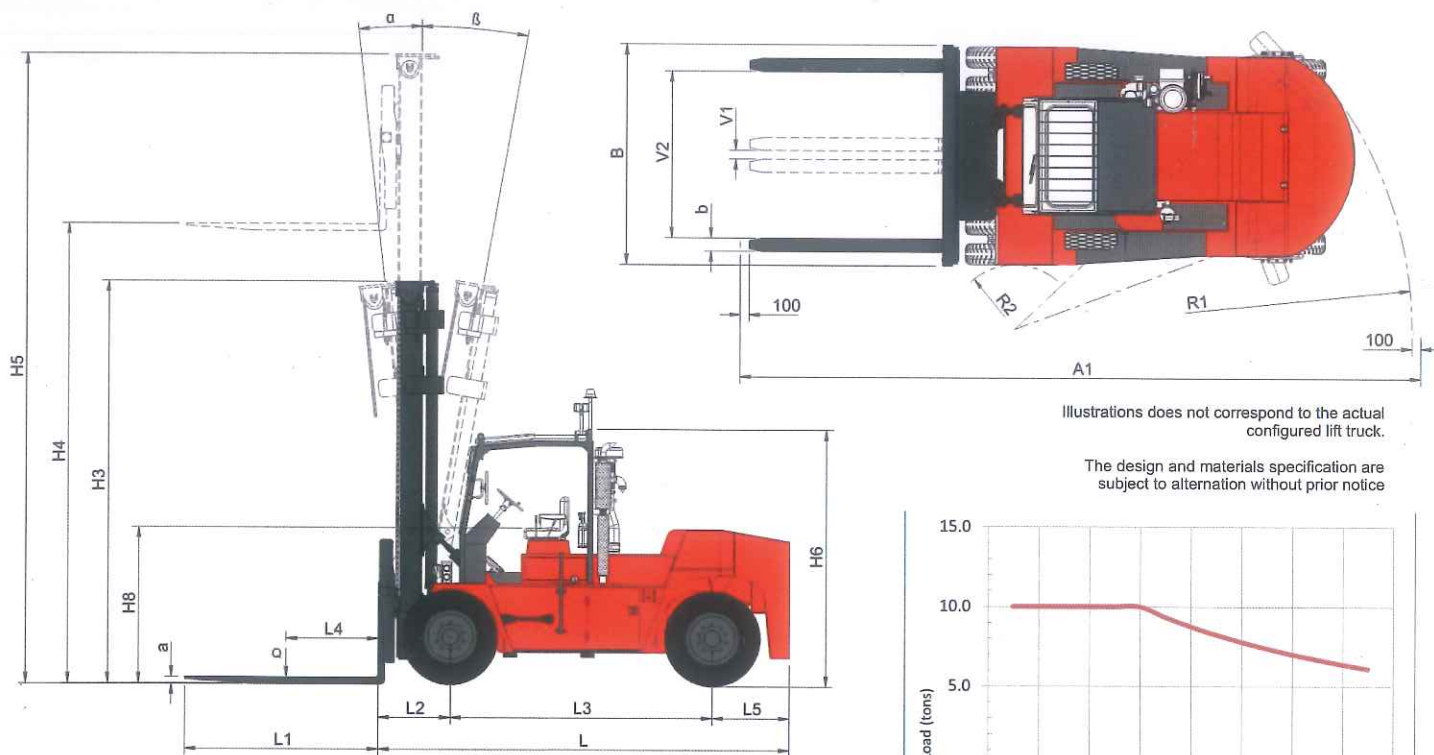
Lift Height	Maximum fork height	H4	mm	6100
Tilt Angle	Forward/Backward	α/β	degree	5/10
Fork	Length	L1	mm	2200
	Width	b	mm	150
	Thickness	a	mm	75
Fork Spread	Minimum/Maximum Standard	V1/V2	mm	105/2296
Side Shift				
Over all Dimensions with Standard Mast	Truck Length to face of forks	L	mm	4695
	Truck Width	B	mm	2515
	Height with collapsed Mast	H3	mm	4608
	Height with fully extended Mast	H5	mm	7655
	Overall Height	H6	mm	2875
	Seat Height	H8	mm	1785
Ground clearance	Under Mast		mm	260
	Under Frame		mm	330
Overhang	Front	L2	mm	815
	Rear	L5	mm	880
Turning Radius	Outer	R1	mm	4440
	Inner	R2	mm	735
Aisle width	Min. aisle width for 90° stacking with forks	A1	mm	7770

Weight and Tyres

Gross Vehicle Weight (with Standard Mast)	Laden/Unladen		Kg	25400/15400
Axle Load with Standard Mast	Front Axle–Laden/Unladen		Kg	22880/7880
	Rear Axle–Laden/Unladen		Kg	2520/7520
Tyres	Type			Pneumatic (Solid)
	Numbers–Front/Rear			4/2
	Size–Front			10.00X20, 16PR
	Size–Rear			10.00X20, 16PR
Track	Front/Rear		mm	1825/1970

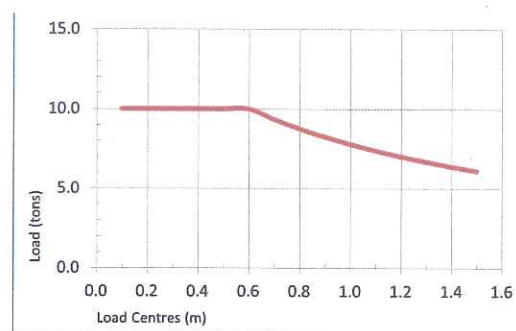
INDITAL

FORKLIFT 10 ton FLT10



Illustrations does not correspond to the actual configured lift truck.

The design and materials specification are subject to alternation without prior notice



Drive

Engine	Manufacturer/ Model	Ashok Leyland/ALHT4CTIC3	
	Rated Power	hp/kW	rpm
	Max.Torque	Nm	
	No. of Cylinders/Displacement	cm ³	
	Emission Standard	CEV BSIII	
Transmission	Manufacturer/ Model	AVTEC/TRT2221-3	
	Gear-Forward/Reverse	F/R	
	Gear Shift	Hydraulic (Electric)	
Drive axle	Type	Power shift with Torque Converter	
	Manufacturer/Model	Meritor MS1497 Heavy Duty	
Brakes	Type	Single Reduction Axle	
	Service Barke	Pneumatic Drum Brakes	
Starting Battery	Parking Barke	Mechanical Air Released	
	Voltage/capacity	V/Ah	

Performance

Speed with Standard Mast	Travel-Laden/Unladen	Km/hr	22/24
	Lifting-Laden	m/s	0.27
	Lowering-Laden	m/s	0.35
Gradability	Laden	%	44.6

INDITAL



20171016_04

Enquires

Tel +91-22-67736666
Fax +91-22-67736600
www.indital.in

Offices

Delhi – +91 9718472220
Mumbai – +91 9867529012
Chennai – +91 9840721119
Kolkata – +91 8584974633

Cargotec India Pvt. Ltd.

Kesar Solitaire, 3rd Floor
Office No. 303 - 306
Plot No. 5, Sector - 19
Sanpada, Navi Mumbai
400705, India

INDITAL