



Empty Container Handler 6 ton

ECT06-3

Technical information

INBITAL

Empty Container Handler 6 ton ECT06-3

Technical details

General

Manufacturer				Cargotec India Pvt. Ltd.
Model				ECT06-3
Capacity	Lifting load	Q	kg	6000
Load Centre	Distance	L4	mm	1220
Power Unit				Diesel
Diesel Tank	Capacity	l	ltr	180
Hydraulic Tank	Capacity	l	ltr	180
Tyres				Pneumatic

Dimension

Stacking Height				3 x 9.6" Containers
Tilt Angle	Forward	α	degree	5
	Backward	β	degree	5
Over all Dimensions	Truck Length	L	mm	5950
	Height with collapsed Mast	H3	mm	5110
	Height with fully extended Mast	H5	mm	8610
	Lifting height	H4	mm	9250
	Seat Height	H8	mm	1790
Turning Radius	Height under twist lock	H10	mm	2290
	Outer	R1	mm	5000
Overhang	Inner	R2	mm	550
	Front	L2	mm	1290
Aisle width	Rear	L5	mm	985
	Min. aisle width 90° stacking, 20' container	A1	mm	8925
	Min. aisle width 90° stacking, 40' container	A2	mm	10870

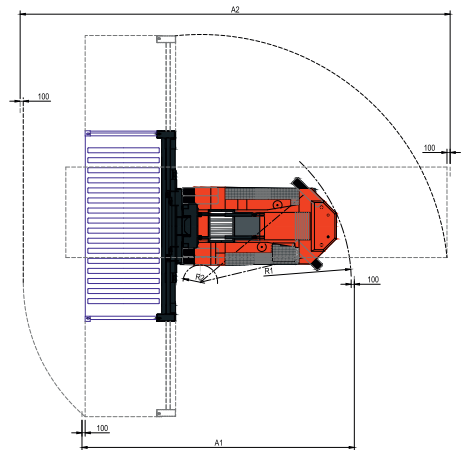
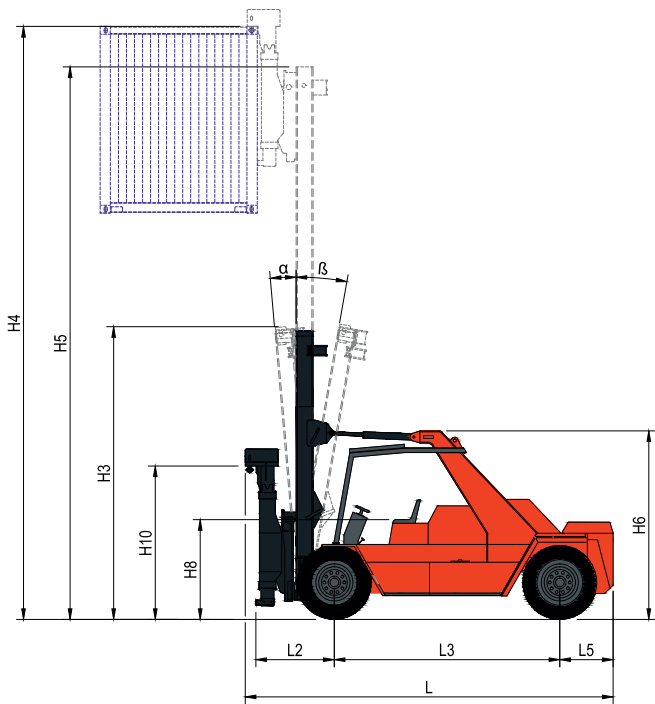
Performance

Speed with Standard Mast	Travel-Laden/Unladen		Km/hr	22/26
	Lifting-Laden		m/s	0.28/0.38
	Lowering-Laden		m/s	0.32/0.23
Gradability	Laden		%	30
Stability	Laden/Unladen		%	42
Steering Type				Hydrostatic

Spreader

20'-40' Telescopic				
2 Point side lifting type, with ISO twist locks,				
Electrically synchronized with fail safe operation				
and side shift +/- 200 mm				

Empty Container Handler 6 ton ECT06-3



Illustrations does not correspond to the actual configured lift truck.

The design and materials specification are subject to alternation without prior notice

Frame and Tyres

Gross Vehicle Weight (with Standard Mast)	Laden/Unladen		Kg	28400/22400
Axle Load with Standard Mast	Front Axle–Laden/Unladen		Kg	22120/13870
	Rear Axle–Laden/Unladen		Kg	6280/8530
Tyres	Numbers–Front/Rear			4/2
	Size-Front			11.00X20,18PR
	Size-Rear			11.00X20,18PR
Wheelbase		L3	mm	3500
Track	Front/Rear	S	mm	1825/2005
Ground clearance	Under Mast		mm	290
	Under Frame		mm	340
Brake	Service Brake			Pneumatic
	Parking Brake			Mechanical Air Released

Drive

Engine	Manufacturer/ Model			Ashok Leyland/H6ETIC3RU23
	Rated Power		HP/KW	133/99
	Rated Speed		rpm	2300
	Max.Torque		Nm	475@1900 rpm
Transmission	Manufacturer/ Model			AVTEC/TRT2221-3
	Gear–Forward/Reverse	F/R		2/2
	Gear Shift			Hydraulic
	Type			Power shift with Torque Converter
Drive axle	Manufacturer/Model			Meritor/R-1495 heavy duty
	Type			Single Reduction Axle
	Brakes			Pneumatic Drum Brakes

INDITAL



Enquires

Tel +91-22-67736666

Fax +91-22-67736600

Offices

Delhi – +91 9718472220

Mumbai – +91 9867529012

Chennai – +91 9840721119

Kolkata – +91 8584974633

Cargotec India Pvt. Ltd.

Kesar Solitaire, 3rd Floor

Office No. 303 - 306

Plot No. 5, Sector - 19

Sanpada , Navi Mumbai

400705, India

INDITAL